



28,00 m

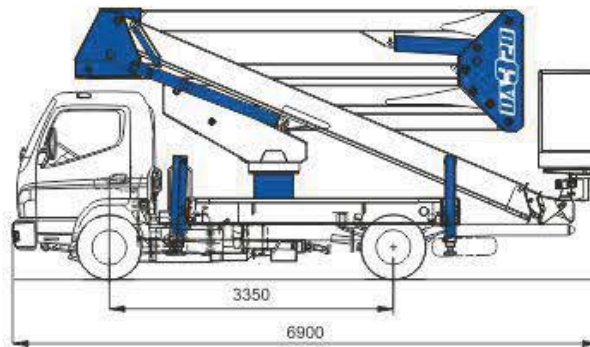
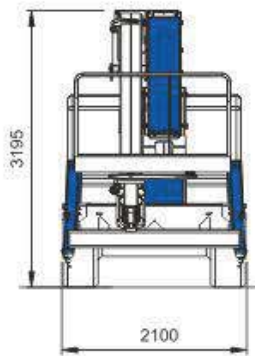
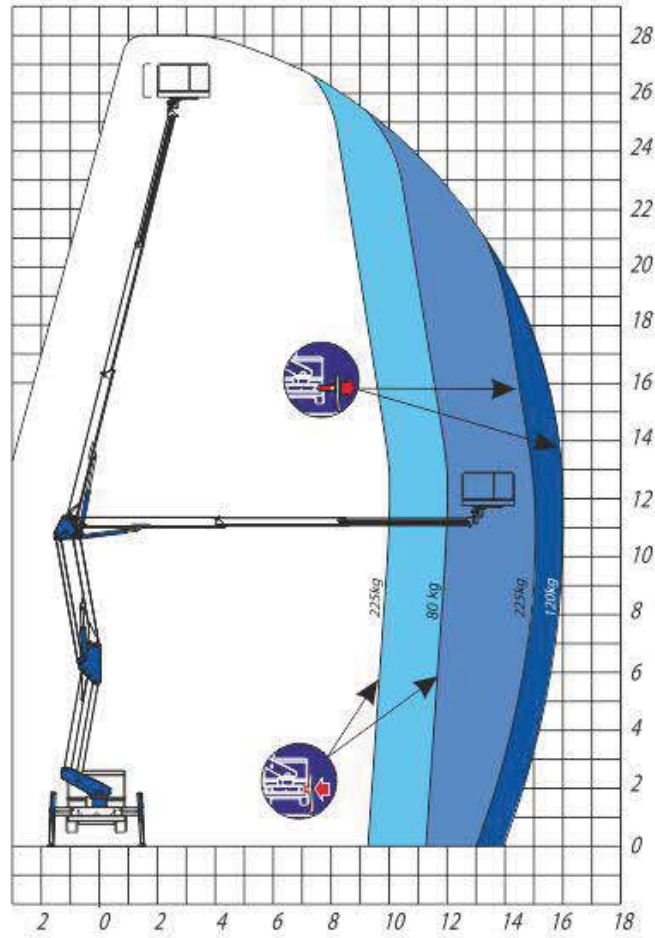
26,00 m

16,00 m

180x70x110

225 kg

∞



# DA328



aluminium

90°+90°

hydraulic

HE+HE

5,6 T